



# Knowledge Organiser



## North American food

### - Chilli con carne and brownie

Before	Now	Next
Y4 soup/stew Y5 Chocolate	Y6 North American Food	

**Chili con carne** (also spelled **chilli con carne** or **chile con carne** and shortened to **chili** or **chilli**), meaning "chili with meat", is a spicy stew containing chili peppers (sometimes in the form of chili powder), meat (usually beef, tomatoes and kidney beans). Other seasonings may include garlic, onions, and cumin. The dish originated in northern Mexico or southern Texas.







A **chocolate brownie** is a square baked dessert. It is a cross between a cake and a soft cookie in texture and comes in a variety of forms. The brownie was developed in the United States at the end of the 19th century and popularized in the U.S. and Canada during the first half of the 20th century.



## Vocabulary

<b>Mexico</b>	A country in southern North America.
<b>USA</b>	A country of 50 states covering a vast swath of North America
<b>Chilli con carne</b>	A spiced stew of usually ground beef and minced chillies or chili powder often with beans
<b>Cookie dough</b>	An un-cooked blend of cookie ingredients
<b>Chocolate brownie/ Brownie</b>	A square or rectangular chocolate baked confection
<b>Savoury</b>	Food belonging to the category that is salty or spicy rather than sweet
<b>Sweet</b>	A usually sweet course or dish usually served at the end of a meal
<b>Balanced diet</b>	a diet consisting of a variety of different types of food and providing adequate amounts of the nutrients necessary for good health.
<b>Seasonality</b>	The times of the year when a given type of food is at its peak, either in terms of harvest or its flavour
<b>Reared</b>	Animals that are brought up for the purpose of providing food in one way or another
<b>Processed</b>	Food that has been altered in some way during preparation
<b>Food hygiene</b>	The practice a food preparation to safeguard health from any risks of foodborne illnesses that can be caused by microbial contamination

#### Health and Safety

Remove jewellery and tie back long hair.	 Long hair must be tied back	Wear an apron and roll up your sleeves.	 Wear protective apron	Wash your hands carefully with soap and hot water. For 20 seconds.	 Wash your hands before handling food	Use equipment safely and with an adult supervising		Always clean up properly when you have finished.
--	--	---	--	--	---	--	---	--



# Knowledge Organiser



## Y6 Spy warning system

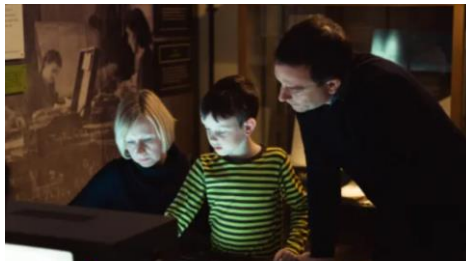
Before	Now	Next
Y5 Mars Rover	Y6 Spy warning system	

Could we have protected the secret work going on at Bletchley Park?



Bletchley Park is an essential slice of British history. Hear the stories of the men and women who cracked the Enigma code and learn all about the iconic WW2 hero, Alan Turing.

Here wartime Britain has been stunningly recreated with authentic set dressing. See the real office of Alan Turing and the largest and most comprehensive display of Enigma machines in the world. There's also the world's only operational Bombe rebuild, garages complete with WW2 vehicles and the device used to mechanise the codebreaking of Enigma. Wow!



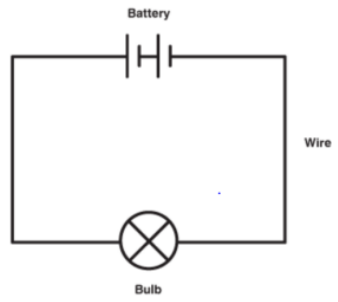
### Keeping safe

Remove any jewellery and tie back long hair. Never use electrical components near water. Keep metal objects away from electrical heat sources-eg, knife away from toaster. Never pull out a plug by its cord. Do not put objects in electrical plug sockets. Never put fingers or objects in plug sockets. Safety at all times. Electricity can be dangerous and can cause burns, shocks and serious injury.

Component	Symbol	Purpose
Cell (Battery)		Provides electrical energy
Power supply		Alternative to using cells
Wire		Allows current to travel
Bulb/light		Converts electrical energy into heat and light
Motor		Converts electrical energy into movement energy
Buzzer		Converts electrical energy into sound energy
Switch		Allows circuit to be opened or closed

## Key Vocabulary

alarm	A bell, buzzer or siren that warns of some kind of danger
circuit	The closed path followed by an electric current
Buzzer	An electrical device that makes a sound
Battery	A device that makes electricity
Wires	A thin thread of metal to carry an electric current
Insulated	To cover a material to stop the movement of electricity
Pressure pad	A pressure-sensitive surface that creates a circuit and causes some action to occur when pressed
inconspicuous	Not likely to be seen or noticed
Design criteria	The explicit goals that a project must achieve in order to be successful
prototype	An original model on which later stages or forms are based or developed



### Simple series circuit

- In order for electricity to flow, a circuit needs three things:
1. A source of electricity
  2. No gaps in the circuit
  3. Conductors